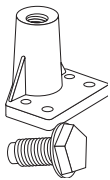
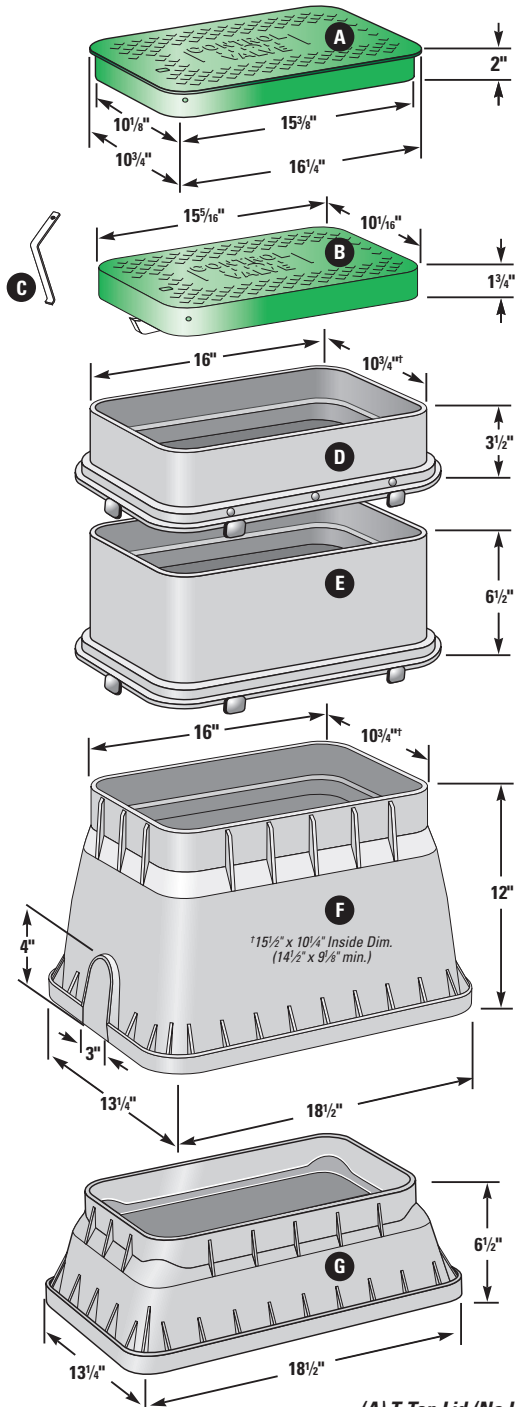




# PENTEK<sup>®</sup>

## ACCESS BOXES

# STANDARD IRRIGATION TURF BOXES



Optional Pentagon Lock  
(Needs Pentagon Lid)

- (A) T-Top Lid (No Locks)
- (B) Drop-in Lid (w/Snap Locks)
- (C) Optional Snap Lock Tool
- (D) 3" Extension
- (E) 6" Extension
- (F) 12" Standard Box
- (G) 6" Flared Box

- SUPERFLEXON material
  - Stronger than structural foam, greater top-load strength
  - More UV and wear resistant than structural foam
  - 10 Year Lid Guarantee
- Lighter than cast iron or concrete boxes
  - Easier warehouse handling
  - Reduced injury potential
- Snap locks on drop-in lid
  - Discourage vandalism
  - Keep lid in place in high water
- Lids are easily interchangeable
- T-top lid will fit boxes of other manufacturers
- Lids available in black, green, tan, and brown mulch
- Boxes available in black, tan and white (6", 12" and 18" high)
- Closed mouse holes standard

"You're Covered!"



PENTEK  
ACCESS BOXES

# STANDARD IRRIGATION TURF BOXES

DESCRIPTION	PART #
<b>STANDARD 6" BOX ASSEMBLIES</b>	
<b>Control Valve</b>	
Black 6" Flared Box, Green Lid w/Snap Lock	170130
Black 6" Flared Box, Green T-Top Lid, No Lock	174519
Black 6" Box Extension, Green Lid w/Snap Lock	170116
<b>STANDARD 12" BOX ASSEMBLIES</b>	
<b>Control Valve</b>	
Black Box, Green Lid w/Snap Lock	170106
Black Box, Green T-Top Lid, No Lock	174501
Black Box, Green T-Top Lid w/Reflector, No Lock	174520
Black Box, Green Lid w/Pentagon Lock	170128
Black Box, Black Lid w/Snap Lock	170133
Black Box, Black T-Top Lid w/Snap Lock	174541
Black Box, Brown Mulch Lid w/Snap Lock	170136
<b>STANDARD 18" BOX ASSEMBLIES</b>	
<b>Control Valve (w/2 Mouse Holes)</b>	
Black 18" Box, Green Lid w/Snap Lock	194537
<b>BOXES ONLY</b>	
Black, Standard w/Closed Mouse Holes	170101
Black, Standard w/2 Mouse Holes Open	170204
Black, Standard w/Open Mouse Holes and Bolt Receptor	170058
Black, Standard w/3 Open Mouse Holes	170207
Black, 6" Flared	170129
Black, 18" One-Piece w/2 Open Mouse Holes	194101
White, 18" One-Piece w/2 Open Mouse Holes	194102

DESCRIPTION	PART #
<b>LIDS ONLY</b>	
<b>Control Valve</b>	
Black w/Snap Lock	171117
Green w/Snap Lock	173134
Green w/Pentagon Lock	173142
Brown Mulch w/Snap Lock	173145
Brown Mulch T-Top, No Lock	174031
Tan Lid w/Snap Lock	173150
Green T-Top, No Lock	174030
Green T-Top w/Snap Lock	174101
Green T-Top w/Snap Lock & Reflector	174520
Green T-Top w/Reflector, No Lock	174017
<b>EXTENSIONS</b>	
3" Black	170102
6" Black	170103
<b>ACCESSORIES</b>	
Lexan Bolt-Pentagon Lock	143003
Reflector Screw, 1/4"x14x1/4", Type AB	143511
Lexan Locking Nut-Pentagon Lock	143013
Hexagon Steel Bolt	143014
Reflector Washer, 1.75"OD x 3/16"ID ZPS	143020
Snap Lock Set, 1 Snap, 1 Pin	144017
Snap Lock Unlocking Tool	144022
Screw for Locator Washer	143004
8" Hinge Pin (to go with #172002 & 172114)	144004
Cast Iron Reader Lid Only	172002
Plastic Flip Lid, Latch & Screw (Plastic Flip Lid Assembly w/Lock)	172114

## SUPERFLEXON BOXES AND COVERS

SUPERFLEXON is a plastic material made of a rigid combination of polyolefin and fibrous inorganic components. It is chemically inert and normally unaffected by moisture, corrosion and the effects of temperature changes. SUPERFLEXON also has a high tensile strength with light weight because it is a solid (not foamed) structural material.

SUPERFLEXON covers are NOT traffic covers and should not be used in roadways, etc.

Physical Properties	ASTM Test Method	Minimum Test Value
Tensile Strength (2.0"/min.)	D-638-82a	3,400 psi
Flexural Modulus	D-790-81	191,000 psi
Compressive Strength (0.05"/min.)	D-695-80	3,350 psi
Impact Strength, Izod	D-256-81	0.6 ft. lb/in.
Durometer Hardness, Type D	D-2240-81	60
Deflection Temp. @ 66 psi Stress	D-648-82	230°F
Specific Gravity	D-792-66 (1979)	1.15



502 Indiana Avenue, Sheboygan, WI 53081, USA  
 Phone: 800.348.7558 • Fax: 888.246.0085 • International Phone: 920.451.9469  
 E-mail: support@pentekaccessboxes.com • www.pentekaccessboxes.com